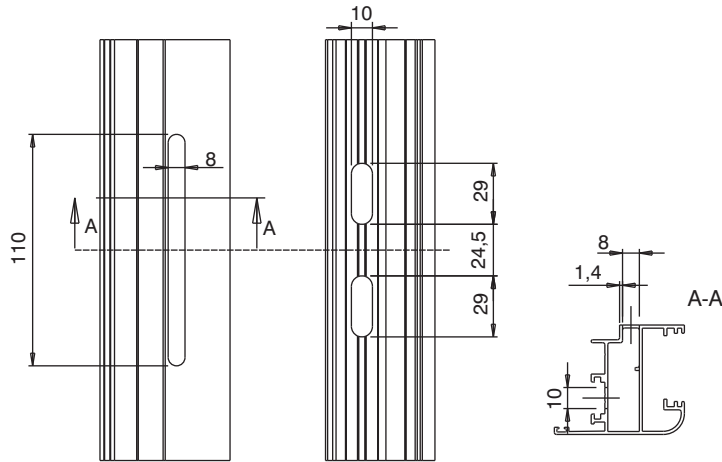
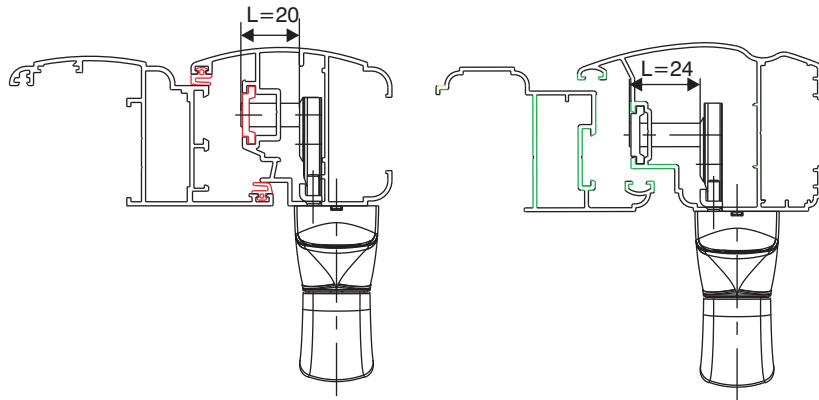


## Profile machining



## Application examples



**Note:** For application queries, contact the Giesse technical assistance service.

**GIESSE UNICA APEX CREMONE**  
The quick and easy solution for fastening shutters and outward openings



Giesse widens the range of Unica cremones with the new **Unica Apex**, an article designed for creating the fastener of an Outward Opening.

The Unica Apex cremone does not require the conventional internal mechanism, since the connection pins can fit directly on the telescopic sliders.

The **Giesse patented system** for fixing the cremone on the profile ensures quick, secure and lasting application. Additional self-threading screws are not needed.

The Giesse product offer comprises:

**A)** Unica Apex Cremone art. 01154... preassembled (box of 20 pcs).

**B)** Unica Apex Kit art. 02259000 (box of 20 pcs), to be assembled with Unica Cremone art. 01150...N or 01151...N.

The most suitable connection pin is chosen according the sash profile geometry. In particular, the pins compatible with the new art. 01154... and 02259000 are given in the table "Connection pins".



Preassembled Unica Apex Cremone art. 01154...



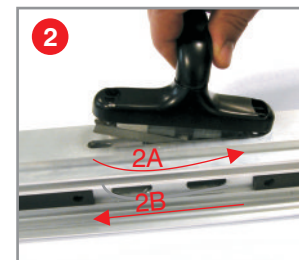
Disassembled Unica Cremone art. 01150...N or art. 01151...N

Unica Apex Kit art. 02259...

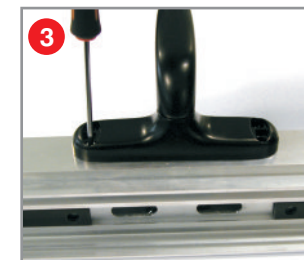
## Cremone installation sequence



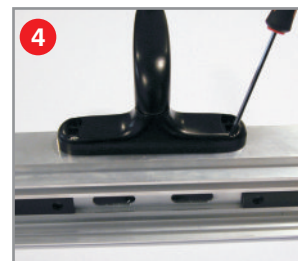
1) Fit the fixing plate on the lower part of the cremone using a 3 mm hex wrench.



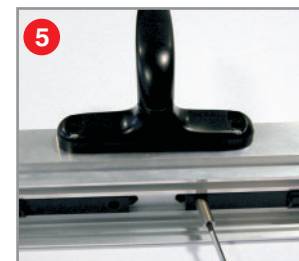
2) Insertion in profile  
2A) Insert the cremone upward and then  
2B) Bring the system downward.



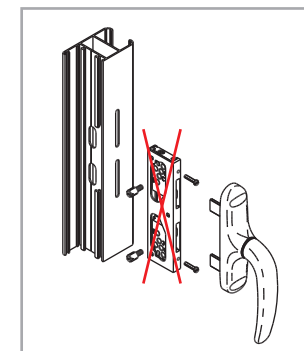
3) Partially tighten the first screw so that the plate, inside the tubular section, is brought near the profile.



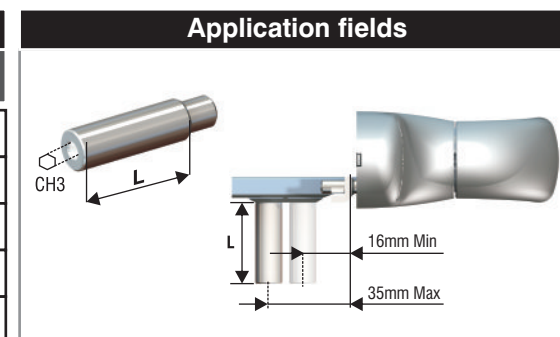
4) Tighten down the second screw and then the first screw.



5) Fit the appropriate connection pins.



Connection pins	
Article	L
02251K	10 mm
02252K	13 mm
02253K	16 mm
02254K	24 mm
02255K	20 mm



**Note:** New connection pins in Silver Plus GS finish for high corrosion resistance.

The 3 mm hexagon impression facilitates screwing the pins on the slider.